

## High Power In-Wall USB Charger Receptacles

**Charge for Minutes.  
Enjoy for Hours!\***



### Access Faster Charging with Power Delivery!

Leviton's line of Power Delivery (PD) compatible USB chargers are engineered and tested for compatibility with more of the newest devices with built-in PD technology: from phones to tablets, laptops and more!

Type-C ports and Power Delivery are featured on the latest devices manufactured by Apple®, Samsung®, Google®, Microsoft® and more, making the technology the new standard. Leviton's USBs with Power Delivery are designed to optimize charging for a faster, more efficient user experience especially for laptops that require the most power.

### Installation

Leviton's Power Delivery compatible USB In-Wall Chargers easily replace a standard receptacle for a convenient upgrade and are also compatible with non-PD devices as well as USB Type A devices (adapter required for T5635, T5835, T5636 and T5836).

### Applications

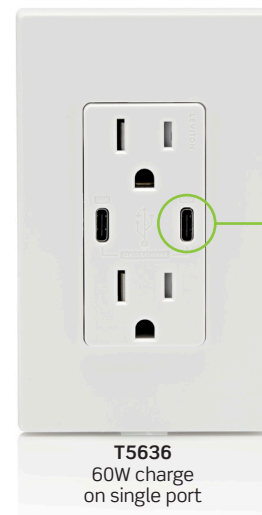
Ideal for residential and commercial applications including kitchens, bedrooms, home offices, college dormitories, airport lounges, hospitals, salons and spas, hotels, meeting rooms, cafes, restaurants and more.



**T5635**  
30W charge  
on single port



**T5634**  
50W charge on Type-C Port  
10W charge on Type A Port



**T5636**  
60W charge  
on single port

**60W**  
Charge on  
Single Port

*Wallplates sold separately.*

## Charging Capacity and Ratings

### T5636/T5836

- 15A/20A Receptacle
- Two high-powered Type-C charging ports with 60W of charging on a single port
- 6A

### T5635/T5835

- 15A/20A Receptacle
- Two high-powered Type-C charging ports with 30W of charging on a single port
- 6A

### T5634/T5834

- 15A/20A Receptacle
- One Type A Port and one Type-C charging port; combined total of 60W of charging power
- Type-C Port can charge maximum 20V @ 2.5A+
- Type A Port can charge maximum 5V @ 2A

## Features

- The most advanced USB in-wall chargers on the market with up to 2X the charging power when used with PD devices
- Adapter-free charging for a sleek and uncluttered appearance
- No data transfer capability
- Smart chip recognizes and optimizes the charging requirements of individual devices
- Built-in overcurrent protection helps protect electronics from receiving too much power, which can damage the device
- Internal thermo regulator prevents the electronics from overheating
- USB Ports tested to meet the industry requirement to withstand over 10,000 insertions
- Compatible with USB 3.1, 3.0, 2.0, 1.1 devices

- Tamper-resistant receptacles help prevent access by most non-rated/foreign objects
- Compatible with Decora® wallplates and Decora Plus™ screwless wallplates (sold separately)
- Spec Grade

## What is Power Delivery (PD)?

Power Delivery is a revolutionary charging technology that supplies a higher level of power than standard charging offers. It delivers faster, safer charging to the latest PD-enabled devices and is the ideal solution for tablets, laptops and other devices that require more power for optimal charging.

## Choosing the Charger That's Right for You

Leviton's line of PD-enabled chargers are safe, powerful and compatible with more of the newest devices. They offer the ideal way to be certain all devices are receiving the highest level of power they can accept for the fastest charge. As PD gradually becomes the standard, installing a USB Charger with PD is the best way to ensure the fastest charging of future PD-enabled devices.

## Agency Standards and Compliance

cCSAus Listed

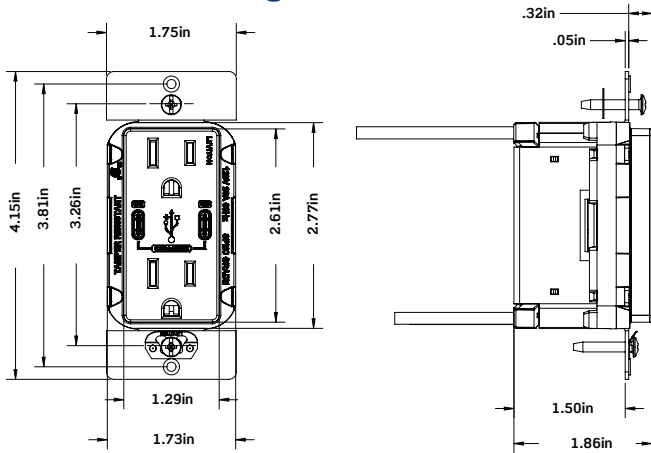
## Warranty Information

Two-Year Limited Warranty

## Specifications

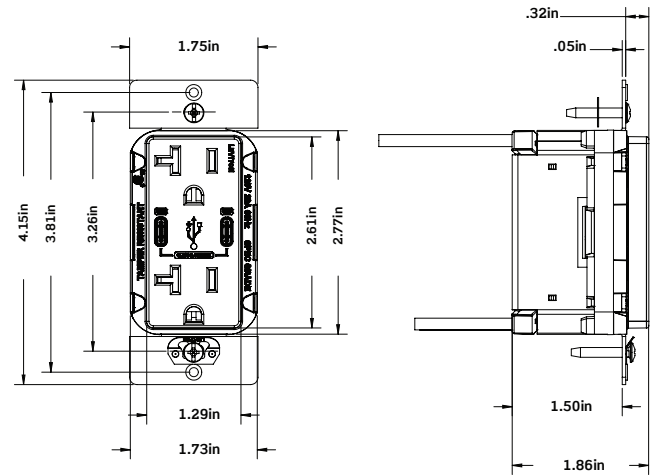
See Leviton.com for full specification information

## Dimensional Drawings

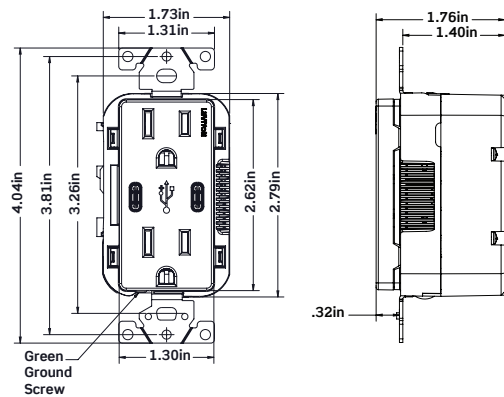


T5636

15A and 20A

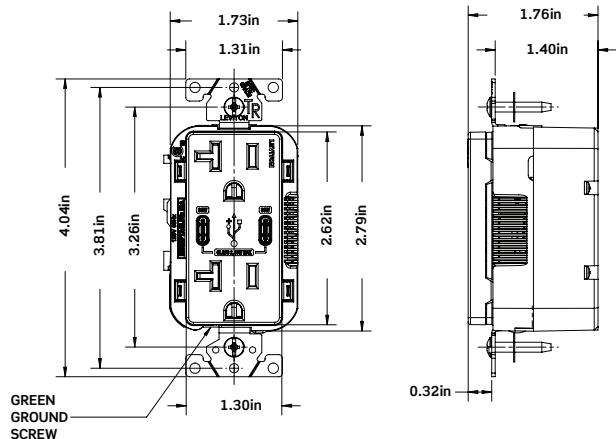


T5836



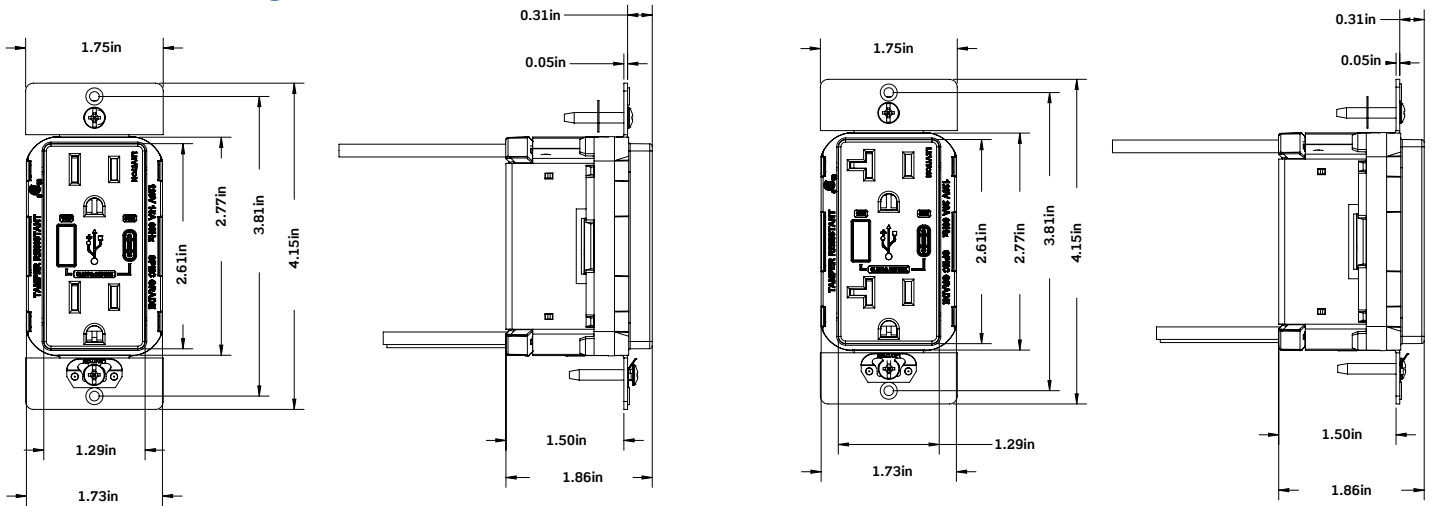
T5635

15A and 20A



T5835

## Dimensional Drawings



T5634

15A and 20A

T5834

## Ordering Information

Cat. No.	Description	Charging Capacity	Rating	Color
T5636	60W Dual Type-C with Power Delivery (PD) USB Charger Receptacle	60W (6A)	15A – 125V	W, I, T, G, E, B
T5836	60W Dual Type-C with Power Delivery (PD) USB Charger Receptacle	60W (6A)	20A – 125V	W, I, T, G, E, B
T5635	30W Dual Type-C with Power Delivery (PD) USB Charger Receptacle	30W (6A)	15A – 125V	W, I, T, G, E, B
T5835	30W Dual Type-C with Power Delivery (PD) USB Charger Receptacle	30W (6A)	20A – 125V	W, I, T, G, E, B
T5634	60W Dual Type A and Type-C with Power Delivery (PD) USB Charger Receptacle	60W (20V@2.5A+ 5V@2A)	15A-125V	W, I, T, G, E, B
T5834	60W Dual Type A and Type-C with Power Delivery (PD) USB Charger Receptacle	60W (20V@2.5A+ 5V@2A)	20A-125V	W, I, T, G, E, B

\*Limited testing performed using an iPad Pro: 1) battery drained to 0%; 2) charged using our power delivery products (T5636/T5635) for 15 minutes; and 3) no other devices plugged in other port. Average usage time of 123 minutes based on streaming movie playback over Wi-Fi with device placed in power save mode and brightness set to minimum. Individual usage times may vary.



**Leviton Manufacturing Co., Inc.**

Tech Line: 1-800-824-3005

Mon-Fri 8am-10pm EST, Saturday 9am-7pm EST, Sunday 9am-5pm EST  
For 24/7 product support visit [www.leviton.com/fastcharge](http://www.leviton.com/fastcharge)

**Visit our Website at: [www.leviton.com](http://www.leviton.com)**

© 2023 Leviton Manufacturing Co., Inc. All rights reserved.  
All trademarks are the property of their respective owners.

